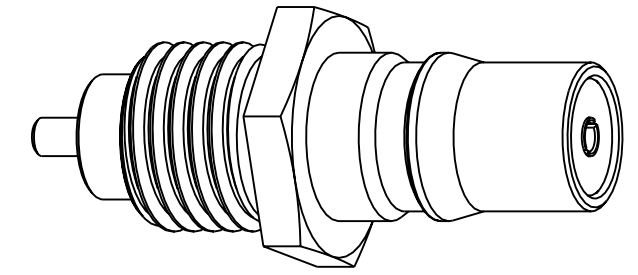


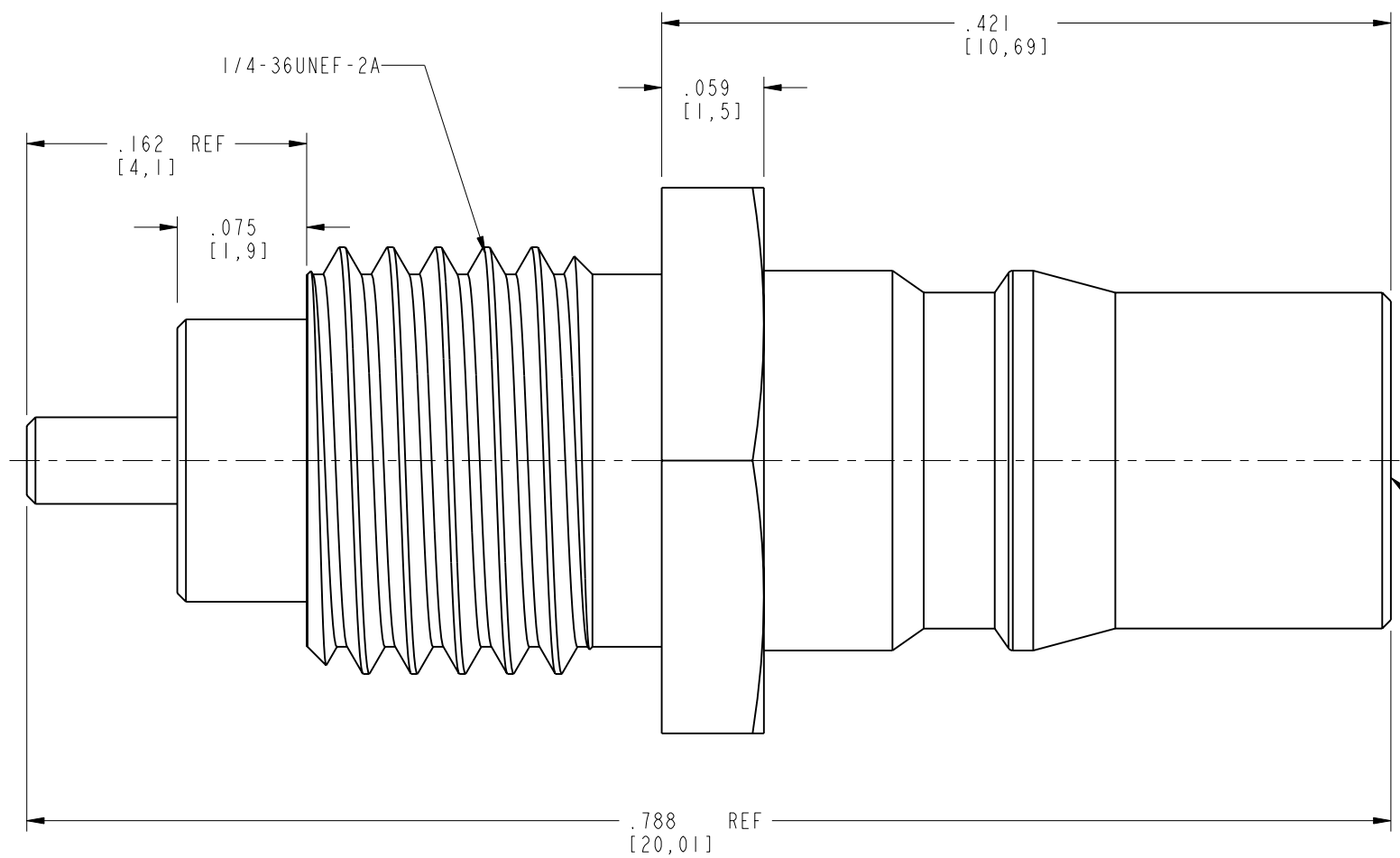
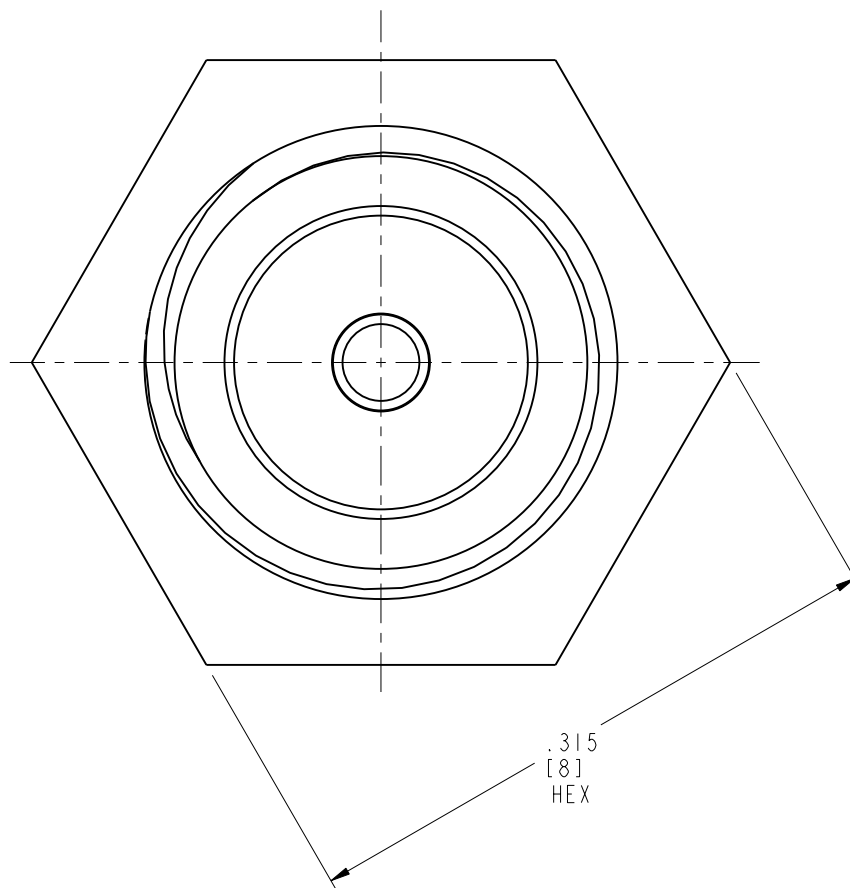
NOTES:

1. MATERIALS AND FINISHES:
 BODY - BRASS, WHITEBRONZE PLATING (.000080" THICK MIN)
 CONTACT - BeCu, GOLD PLATING (.000030" THICK MIN)
 INSULATOR - PTFE
2. ELECTRICAL:
 A. IMPEDANCE: 50 OHM
 B. FREQUENCY RANGE: DC - 6 GHz
 C. VSWR(RETURN LOSS): -32 dB TO 3 GHz, -25 dB TO 6 GHz
 D. DIELECTRIC WITHSTANDING VOLTAGE: 1000 VRMS, MIN.
3. MECHANICAL:
 A. DURABILITY: 500 CYCLES MIN.
 B. TEMPERATURE RANGE: -65° C TO 165° C
4. PACKAGING:
 A. QUANTITY: SINGLE PACK
 B. MARKING: BAG TO BE MARKED
 "AMPHENOL, 930-127J-51S, AND DATE CODE"

930-127J-51S		REVISIONS			
DRAWING NO.	REV	DESCRIPTION	DATE	ECO	APPR
THIRD ANGLE PROJ.	A	RELEASE TO MFG.	9/22/04	45157	HP
	B	CHGD PLATING ON BODY TO WHITEBRONZE IN NOTE 1	3/10/06	45961	HP



SCALE 4.000



INTERFACE PER AMPHENOL RF SPEC. 349-50692

CUSTOMER OUTLINE DRAWING
 ALL OTHER SHEETS ARE FOR INTERNAL USE ONLY

UNLESS OTHERWISE SPECIFIED, DIMENSIONS ARE IN INCHES AND TOLERANCES ARE: 2 PLACE DECIMAL 3 PLACE DECIMAL ANGLES ±.015 (0,381 mm) ±.005 (0,127 mm) ± 1°	MATERIAL	DRAWN H. PARIKH	DATE 23-Aug-04	TITLE QMA (F) STR BULKHEAD RCPT FRONT MOUNT	Amphenol RF Danbury, CT, USA Tainan, Taiwan Shenzhen, China www.amphenolrf.com		
	REFERENCE EAR# 1185 615X-2087-100	ENGINEER H. PARIKH	DATE 23-Aug-04			APPROVED O. BARTHELMES	DATE 9/16/04
NOTICE - These drawings, specifications, or other data (1) are, and remain the property of Amphenol Corp. (2) must be returned upon request; and (3) are confidential and not to be disclosed to any person other than those to whom they are given by Amphenol Corp. The furnishing of these drawings, specifications, or other data by Amphenol Corp., or to any other person to anyone for any purpose is not to be regarded by implication or otherwise in any manner licensing, granting rights or permitting such holder or any other person to manufacture, use or sell any product, process or design, patented or otherwise, that may in any way be related to or disclosed by said drawings, specifications, or other data.		CAD FILE I:\QMA\930-127J-51S	CODE ID 74868	DWG SIZE B	DRAWING NO. 930-127J-51S	SCALE: 10.0:1	SHEET 2 OF 2
						REV B	